



INSTALLATION GUIDE AC3P/PT



PLEASE READ
BEFORE USE!

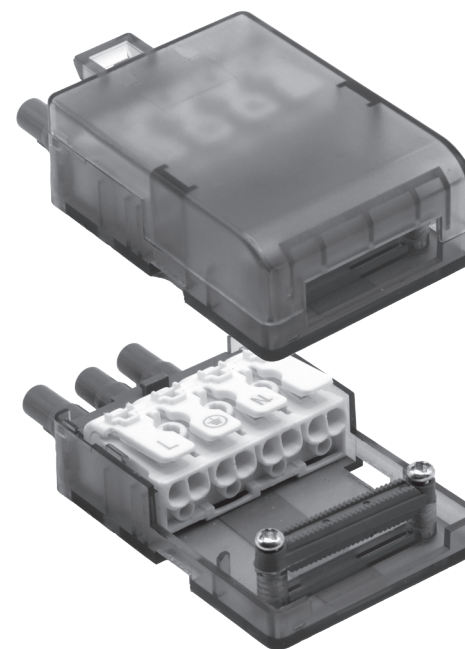
⚠ ENSURE POWER SUPPLY IS OFF WHEN HANDLING ANY ELECTRICAL EQUIPMENT.

- This product must be installed by a qualified electrical installer.
- All electrical work should be completed in accordance with the latest IET regulations, or any other relevant rules, regulations or laws of the country in which it is being installed.
- Ensure the item is isolated from any form of insulation and is adequately ventilated to prevent premature decay of any LED package that may be installed in it.
- Ensure power supply is isolated prior to installation, maintenance or performing any other form of electrical work.
- The company **MUST** be contacted immediately for advice or swift resolution of any matters concerning any of All LED's products.
- All LED Ltd is not responsible for LED lamps being damaged by excessive heat caused inside this fitting.
- All LED Ltd is not responsible for LED lamps being damaged due to poor isolation, or inadequate air circulation.

Technical Specifications

Product Code	AC3P/PT
Voltage Rating	450V
Current Rating	16A
Ingress Protection	IP20
Body Material	Polycarbonate
Colour	Grey
Operating Temperature (°C)	+5°C to +40°C
Termination Layout (Male)	N - E - L
Termination Layout (Female)	L - E - N - Loop
Terminal Conductor Sizes	"Female - 2 x 2.5mm ² T&E/ 1.5mm ² Flex Male - 1 x 1.5mm ² T&E/Flex"
Cable Restraint Supplied	Both Male And Female
Guarantee	10 Year Guarantee

Installation Instructions



FEMALE socket
(Fixed wiring supply)

Up to 3 x 2.5mm² flat twin and earth cables can be used.

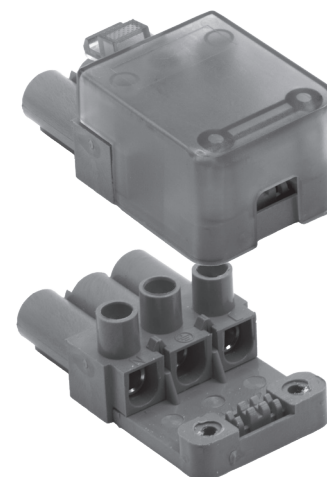
To remove cover from base, release retaining arms on each side.

Undo retaining screws from cable clamp.

Insert cables and connect.

Tighten cable clamp retaining screws.

Strip the cables to lengths as follows:
Outer sheath : 35mm
Inner conductors : 10mm



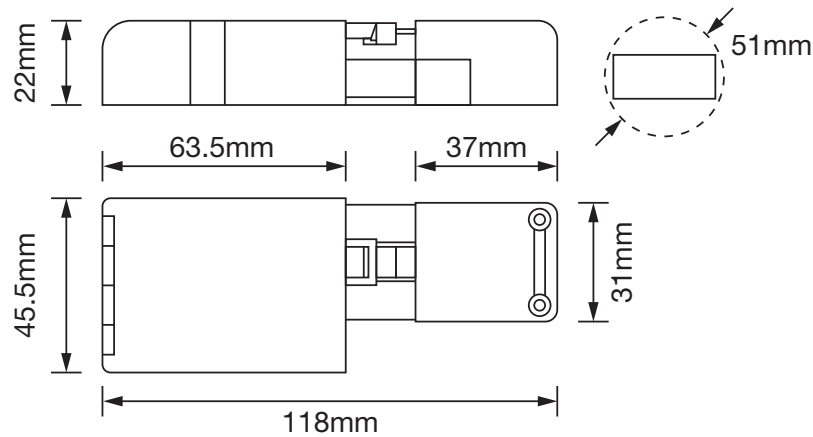
MALE socket
(For appliance/load only)

Up to 1.5mm² flexible 3 core cable can be used.

Remove cover fixing screws.

Strip the cables to lengths as follows:
Outer sheath : 20mm
Inner conductors : 10mm

Dimensions



Safety

- Do not cover the ground contact.
- Do not cover the luminaire, hang or fasten anything from it.
- Do not operate if any visible damage can be seen to the product.
- Do not operate if any water ingress has occurred.
- Do not operate if any smoke, steam or crackling noises can be heard from the luminaire.
- Do not operate if any signs of overheating are recognised.
- Avoid installation in any areas where there is a risk of strong mechanical loads.
- Do not place any material over the lens or LED diode/chip.
- Do not insert objects into the luminaire.
- Do not clean using any solvent based abrasive or aggressive products.
- Do not pull any cables connected to the product.
- Do not direct the luminaire into a person's eyes, as this unit may have an intense light output, which if incorrectly used may cause eye damage.
- Light engines/LEDs and other light sources may heat up, please take care when handling the products.
- The manufacturer will not be deemed liable or held responsible for any damages caused by faults or manufacturing defects that may be present in any of its products or the misuse or incorrect installation of this device. Please refer to our troubleshooting guide for further information.
- The manufacturer will not be held liable for any death(s) or injuries caused by misuse or poor installation or any unreported faults of this product version or versions thereof.
- LEDs are sensitive to electrostatic discharge. Do not touch the surface of the LED module.
- Do not connect to a temporary electricity supply, this may damage the electronics.
- Light fittings with an integrated emergency option come with a separate installation and wiring leaflet. Please refer to this manual for further details. If the manual is unavailable please contact an ALL LED representative for assistance.
- It is strongly recommended that a Residual-Current Device (RCD) is used with this product to minimise the risk of electrocution.
- REPLACE DAMAGED PRODUCT IMMEDIATELY.
- Keep away from children.

Returns & Faulty Items

- If any problems are encountered during or after installation, please call the All LED technical department to get the problem resolved as soon as possible.
- Please do not just return the item to the outlet you purchased it from, as you are only entitled to a replacement or refund after the unit has undergone testing and the unit has been confirmed as having a manufacturing defect/fault. Your statutory rights are not affected.
- The manufacturer will not be deemed liable or held responsible for any damages caused by faults or manufacturing defects that may be present in any of its products or the misuse or incorrect installation of this device. Please refer to our troubleshooting guide for further information.
- All installations must be carried out in accordance with this installation guide and user manual.
- All goods are supplied under the terms and conditions of All LED LTD, a copy of which may be obtained upon written request.



ATTENTION

IF ANY PROBLEMS PERSIST, PLEASE CALL THE ALL LED TECHNICAL DEPARTMENT FOR FURTHER ASSISTANCE.

Environmental Protection
Waste electrical products should not be disposed of with household waste. Please recycle where facilities exist. Check with your Local Authority or retailer for recycling advice



ISOLATE MAINS SUPPLY
BEFORE HANDLING ANY
ELECTRICAL PRODUCTS

ALL LED

GUARANTEE
10
YEAR

The manufacturer will not be deemed liable or held responsible for any damages caused by faults or manufacturing defects that may be present in any of its products or the misuse or incorrect installation of this device
Your statutory rights are not affected.



ALL LED LTD
42 Sedgwick Road,
Luton, LU4 9DT

www.allledgroup.com
sales@allledgroup.com
Tel: +44 (0)208 841 9000

